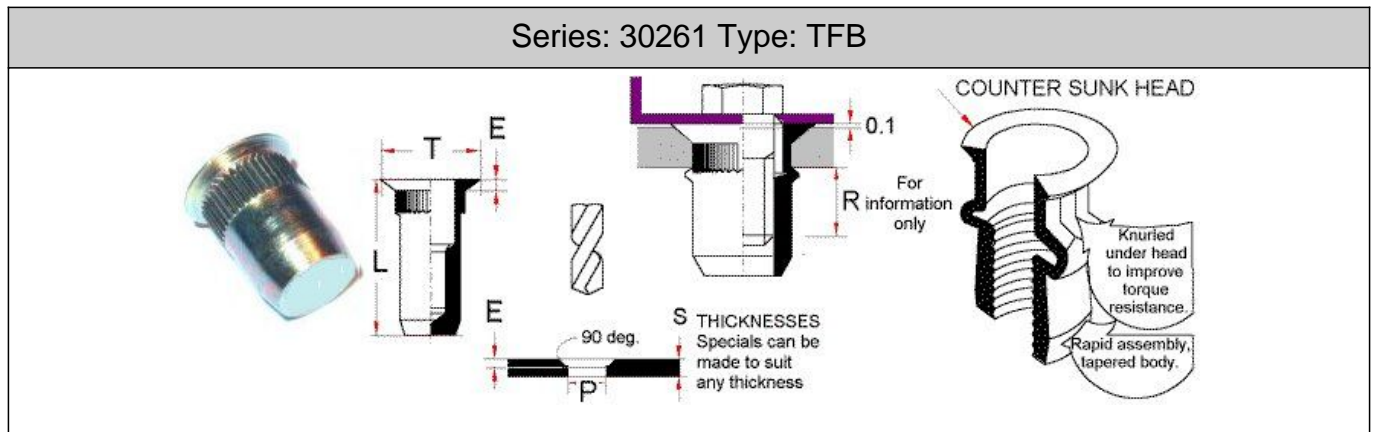


Countersunk Head Closed Rivet Nuts

Part No.	Thread M	Panel Size S	Body Diam. D	Head Dim. E	Head Diam. T	Length L	Hole size P	Csk. F	Dim. R
3TFB20	M3	1.0 - 2.0	5.0	1.0	7.0	11.7	5.1	0.7	8.2
3TFB30	M3	2.0 - 3.0	5.0	1.0	7.0	12.7	5.1	0.7	8.2
4TFB20	M4	1.0 - 2.0	6.0	1.0	8.0	13.0	6.1	0.9	9.0
4TFB30	M4	2.0 - 3.0	6.0	1.0	8.0	14.0	6.1	0.9	9.0
4TFB40	M4	3.0 - 4.0	6.0	1.0	8.0	15.0	6.1	0.9	9.0
5TFB20	M5	1.0 - 2.0	7.0	1.0	9.0	16.7	7.1	0.9	11.5
5TFB30	M5	2.0 - 3.0	7.0	1.0	9.0	17.7	7.1	0.9	11.5
5TFB40	M5	3.0 - 4.0	7.0	1.0	9.0	18.7	7.1	0.9	11.5
6TFB20	M6	1.0 - 2.0	9.0	1.0	11.0	19.0	9.1	0.9	14.6
6TFB35	M6	2.0 - 3.5	9.0	1.0	11.0	20.5	9.1	0.9	14.6
6TFB50	M6	3.5 - 5.0	9.0	1.0	11.0	22.0	9.1	0.9	14.6
8TFB30	M8	1.5 - 3.0	11.0	1.5	14.0	21.3	11.1	1.4	15.8
8TFB45	M8	3.0 - 4.5	11.0	1.5	14.0	22.8	11.1	1.4	15.8
8TFB60	M8	4.5 - 6.0	11.0	1.5	14.0	24.3	11.1	1.4	15.8
10TFB35	M10	2.0 - 3.5	13.0	1.5	16.0	25.3	13.1	1.4	19.0
10TFB50	M10	3.5 - 5.0	13.0	1.5	16.0	26.8	13.1	1.4	19.0
10TFB65	M10	5.0 - 6.5	13.0	1.5	16.0	28.3	13.1	1.4	19.0
12TFB40	M12	2.0 - 4.0	16.0	2.0	20.0	32.9	16.1	1.9	23.3
12TFB55	M12	4.0 - 5.5	16.0	2.0	20.0	34.4	16.1	1.9	23.3
12TFB70	M12	5.5 - 7.0	16.0	2.0	20.0	35.9	16.1	1.9	23.3
14TFB45	M14	2.5 - 4.5	18.0	2.5	23.0	40.5	18.1	2.4	29.5
14TFB60	M14	4.5 - 6.0	18.0	2.5	23.0	42.0	18.1	2.4	29.5
14TFB75	M14	6.0 - 7.5	18.0	2.5	23.0	43.5	18.1	2.4	29.5
16TFB45	M16	3.0 - 4.5	21.0	2.5	26.0	44.6	21.1	2.4	33.2
16TFB60	M16	4.5 - 6.0	21.0	2.5	26.0	46.1	21.1	2.4	33.2
16TFB80	M16	6.0 - 8.0	21.0	2.5	26.0	48.1	21.1	2.4	33.2

These rivet nuts are a high performance part for demanding applications. The TFB range have closed or blind ends with a countersunk head. They are machined from bar rather than forged

Continued from previous page...



and have a ribbed wall for maximum torque resistance. Material: Mild Steel or 303 Stainless Steel (code SS) Finish: Trivalent Zinc

All information is given for guidance only and designers should satisfy themselves as to the suitability of the specification by requesting samples