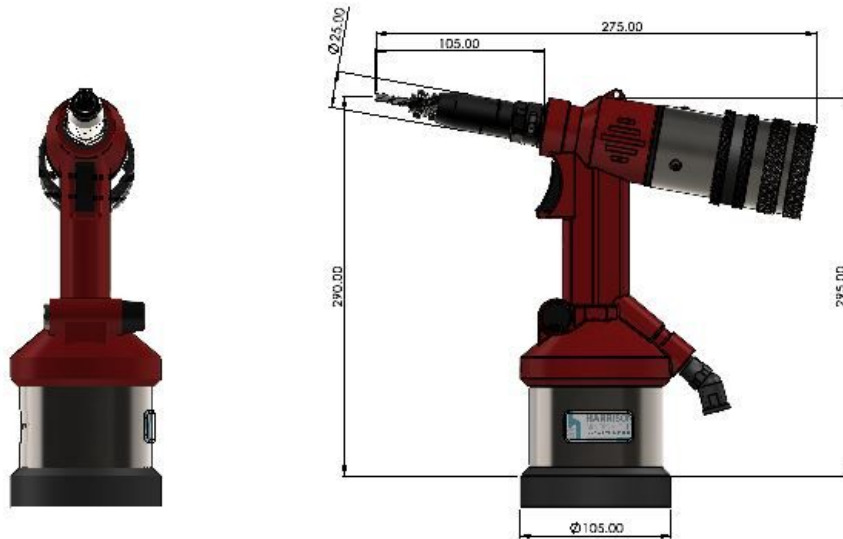




Series: 130101 Type: RIV916



## RIV916 Rivet Nut Setting Tool

The RIV916 Setting Tool is designed for use with our range of JK and Multi Nuts sizes M4-M10 which require a longer stroke than traditional rivet nuts. To speed up assembly the tool has an auto load feature which means the mandrel spins as soon as the nuts are pressed on.

**All information is given for guidance only and designers should satisfy themselves as to the suitability of the specification by requesting samples**