

Plas-Tight 45° Pozi Pan Head

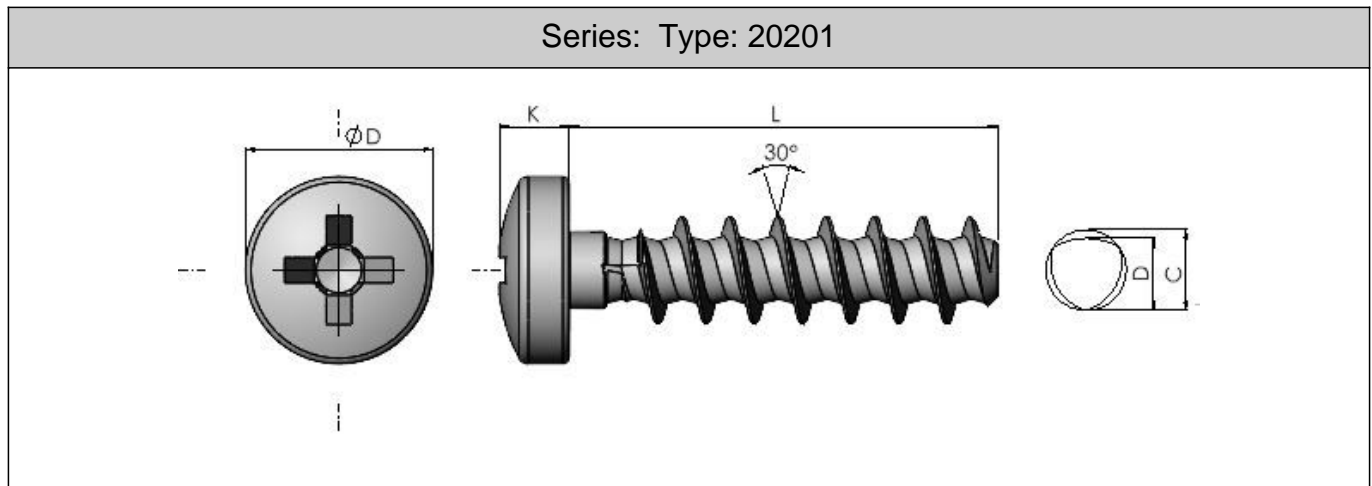
Part No.	Thread	D1	K	C	Recess
20201 18**	1.8	3.60	1.50	1.85	0
20201 22**	2.2	4.24	1.57	2.25	1
20201 25**	2.5	4.00	1.60	2.55	1
20201 30**	3	5.00	1.95	3.05	1
20201 35**	3.5	6.00	2.30	3.55	1
20201 40**	4	7.00	2.45	4.06	2
20201 50**	5	8.00	2.80	5.06	2
20201 60**	6	10.00	3.50	6.06	2

Legend	
*	Usually Available from Stock
**	Non-preferred (Possible Lead Times)
***	Special Order Only

Thread/Length	4	5	6	7	8	10	12	16	20	25	30	35
1.8	*	*	*	***	*	*	***	***	***	***	***	***
2.2	***	*	*	***	*	*	*	***	***	***	***	***
2.5	***	***	*	***	*	*	*	***	***	***	***	***
3	***	***	*	***	*	*	*	*	*	*	***	***
3.5	***	***	*	***	*	*	*	*	*	*	***	***
4	***	***	*	***	*	*	*	*	*	*	***	***
5	***	***	***	***	***	*	*	*	*	*	*	***
6	***	***	***	***	***	***	***	*	*	*	***	***



Continued from previous page...



Plas-Tight 45° Screws are a Metric 3-Lobe Bodied Screw that encompass a 45° thread profile which allows deep thread penetration into the plastic material. The 3-lobe body allows displaced material to cold flow back into relief areas which minimises radial stress and reduces the possibility of failure.

Material: Steel

Finish: Zinc Plated

For the part number replace ** with the required length found in the tables below:

All information is given for guidance only and designers should satisfy themselves as to the suitability of the specification by requesting samples