

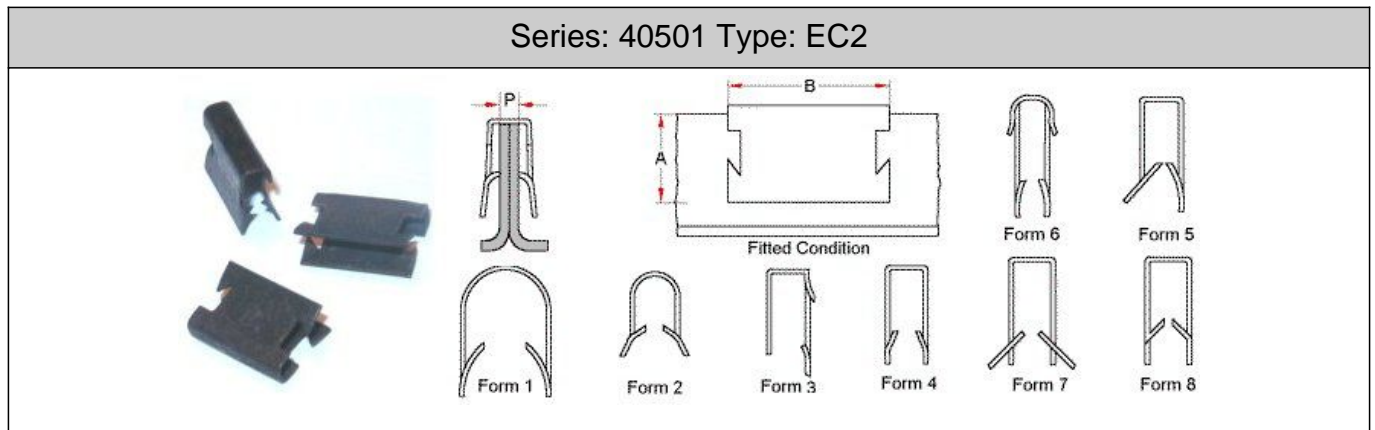
## Single Edge Clips 2

Part No.	Panel Range	Depth A	Width B	Form
41380	2.0 - 2.9	14.0	12.7	1
41011	1.7 - 3.3	12.5	12.7	1
39200	0.4 - 2.0	9.0	12.7	1
38160	4.4 - 6.0	6.7	12.7	6
26880	5.5 - 6.0	11.1	12.7	4
25170	1.6 - 2.5	11.9	12.7	5
19340	2.2 - 4.4	10.6	12.7	4
18670	3.6 - 5.1	12.7	12.7	4
18390	1.2 - 2.0	8.7	12.7	1
16930	4.4 - 5.6	8.7	12.7	4
16900	3.6 - 4.7	8.7	12.7	4
14891	0.4 - 2.0	14.3	12.7	1
14890	1.2 - 2.0	14.3	12.7	1
14570	0.8 - 2.0	7.9	12.7	1
13691	3.1 - 3.8	12.7	12.7	4
13170	3.1 - 3.6	8.7	12.7	4
13000	3.3 - 3.9	8.3	12.7	4
12720	0.8 - 1.6	8.3	12.7	1
11950	3.2 - 3.6	8.7	12.7	4
11770	0.4 - 1.1	8.7	12.7	1
11640	1.0 - 2.0	8.7	12.7	1
11430	1.6 - 2.0	8.7	12.7	1

Edge Clips have nine forms to cater for variations in the applications they are required to fit. These quick fit versatile fasteners are available in a wide selection of panel ranges to satisfy any conceivable application. Material: Spring Steel      Finish: Black Phosphate or Trivalent Zinc



Continued from previous page...



---

All information is given for guidance only and designers should satisfy themselves as to the suitability of the specification by requesting samples