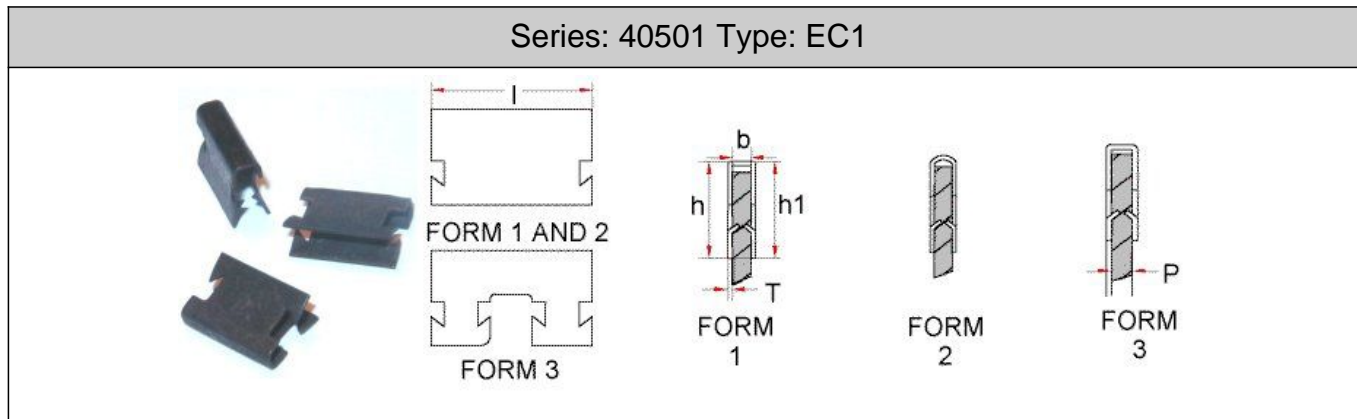




Series: 40501 Type: EC1

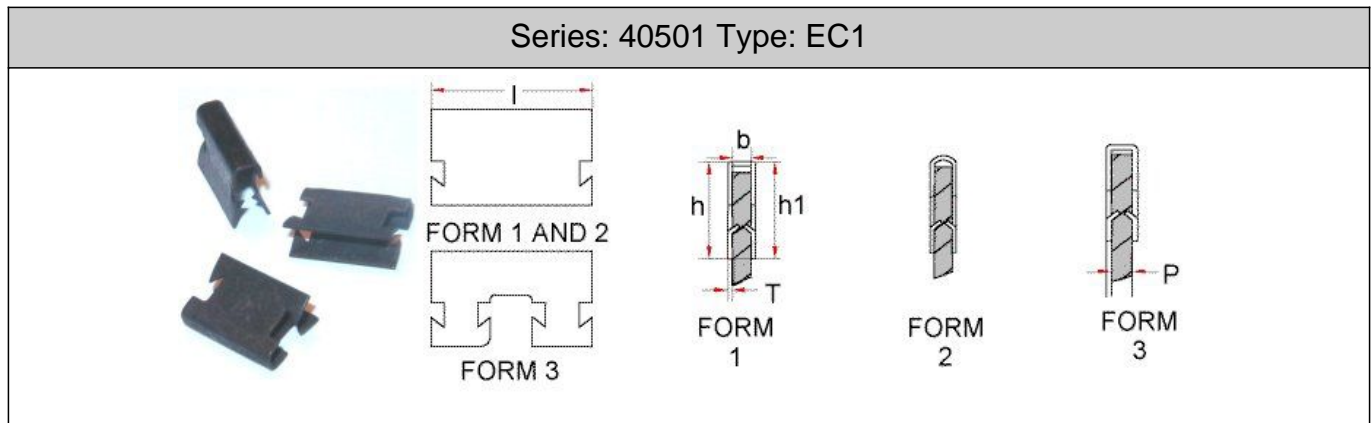


## Single Edge Clips 1

Part No.	Panel Range	Dim. l	Dim b	Dim h	Dim h1	T	Form
042587	0.7 - 0.8	20	1.0	7.1	7.1	0.4	2
051565	0.7 - 1.2	13	1.6	8.8	8.8	0.4	1
051860	0.7 - 1.5	13	2.0	8.6	8.6	0.4	1
051564	0.7 - 1.5	13	2.4	9.2	9.2	0.4	2
041847	0.75 - 2.0	13	2.0	4.8	4.8	0.33	1
051546	0.8 - 1.3	13	1.6	8.8	8.8	0.4	1
041454	1.0 - 2.0	20	2.8	13.4	13.4	0.6	2
051783	1.0 - 1.5	13	2.0	8.5	8.5	0.4	1
051510	1.0 - 1.5	13	2.0	8.5	8.5	0.4	1
054712	1.0 - 2.5	10	2.5	9.4	9.4	0.4	1
051678	1.4 - 2.0	13	2.4	8.3	8.3	0.4	1
051734	1.4 - 2.0	13	2.4	8.5	8.5	0.4	1
051789	1.5	13	2.0	9.5	9.5	0.4	2
041920	1.5 - 1.75	13	2.15	6.0	6.0	0.3	2
052667	1.5 - 2.2	13	2.5	6.6	6.6	0.4	1
043030	1.5 - 3.25	13	3.5	6.0	6.0	0.3	1
043088	1.6 - 2.2	13	2.5	8.1	8.1	0.4	1
054134	1.6 - 2.5	13	2.7	14.6	14.6	0.5	1
052081	1.6 - 2.5	13	2.7	15.0	15.0	0.5	1
042982	1.7 - 2.0	8	2.0	6.0	6.0	0.25	3
052944	1.7 - 2.0	13	2.5	7.0	7.0	0.4	1
051455	1.7 - 2.2	13	2.5	8.5	8.5	0.4	1
051657	1.7 - 2.4	14.3	2.8	8.8	8.8	0.6	1
042100	1.75 - 2.0	15	2.2	14.5	8.5	0.4	2
042072	1.75 - 2.0	15	2.2	20.5	8.5	0.4	2
042834	1.75 - 2.25	13	2.5	8.7	8.7	0.3	1
043670	1.8 - 2.0	8	2.0	5.85	5.85	0.25	3
051452	1.8 - 2.2	13	2.5	8.3	8.3	0.4	1
051917	1.8 - 2.8	13	3.2	16.7	16.7	0.5	1
052828	2.0 - 2.2	20	2.3	12.0	12.0	0.5	2



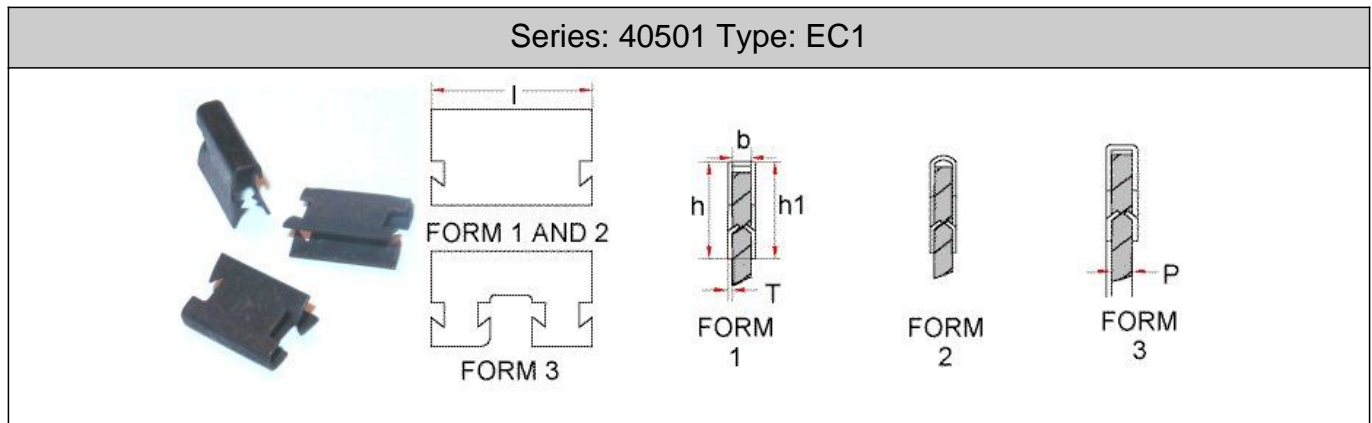
Continued from previous page...



051861	2.0 - 2.7	13	3.0	7.6	7.6	0.4	1
051577	2.0 - 2.8	13	3.2	8.3	8.3	0.4	2
052752	2.2 - 2.5	20	3.2	12.0	12.0	0.6	2
051741	2.2 - 2.6	13	3.1	7.0	7.0	0.4	1
054532	2.2 - 2.6	13	2.8	7.4	7.4	0.4	1
042158	2.5	20	2.8	15.0	15.0	0.6	2
051652	2.5 - 2.8	13	3.2	9.1	9.1	0.4	1
041848	2.5 - 3.0	13	3.0	4.0	4.0	0.3	1
042718	2.75 - 3.25	13	3.5	6.0	6.0	0.3	1
054239	2.75 - 3.5	50	4.0	15.6	15.6	0.1	3
051627	3.0	13	4.0	8.6	8.6	0.4	1
052101	3.0 - 3.5	50	3.2	16.0	16.0	0.1	3
044093	3.0 - 3.6	11	3.5	19.0	13.5	0.7	1
042899	3.5 - 4.0	20	10.0	20.0	20.0	0.5	2
043126	3.5 - 4.2	20	4.2	12.6	12.6	0.4	1
051780	4.0 - 5.0	13	4.5	9.1	9.1	0.4	2
053328	4.25 - 4.75	12.7	5.2	8.2	8.2	0.5	1
042275	4.4 - 5.5	25	5.0	12.0	12.0	0.5	2
051751	4.5 - 5.0	13	6.0	8.6	8.6	0.45	2
043401	4.5 - 5.5	13	5.6	8.5	8.5	0.3	1
053510	4.5 - 5.0	20	6.0	14.5	14.5	0.5	1
042927	4.7 - 5.1	13	5.0	5.0	5.0	0.3	1
044029	5.5	86	5.9	14.0	10.5	0.4	1
044080	5.5	126	5.9	18.5	10.5	0.4	1
043131	5.5	138	5.9	18.5	10.5	0.4	1
042003	5.5 - 6.0	20	6.7	6.7	6.7	0.3	1
053329	6.7 - 8.1	12.7	8.3	9.55	9.55	0.45	1
042204	6.0 - 7.0	15	7.0	11.0	11.0	0.5	1
041918	9.0 - 9.5	15	9.75	9.4	9.4	0.6	1
043917	18.0	15	20.5	13.5	13.5	0.6	1



Continued from previous page...



042146	21.0	15	21.2	11.9	11.9	0.6	1
042163	32.0	12	33.0	11.5	11.5	0.5	1

Edge Clips have nine forms to cater for variations in the applications they are required to fit. These quick fit versatile fasteners are available in a wide selection of panel ranges to satisfy any conceivable application. Material: Spring Steel      Finish: Black Phosphate or Trivalent Zinc

**All information is given for guidance only and designers should satisfy themselves as to the suitability of the specification by requesting samples**