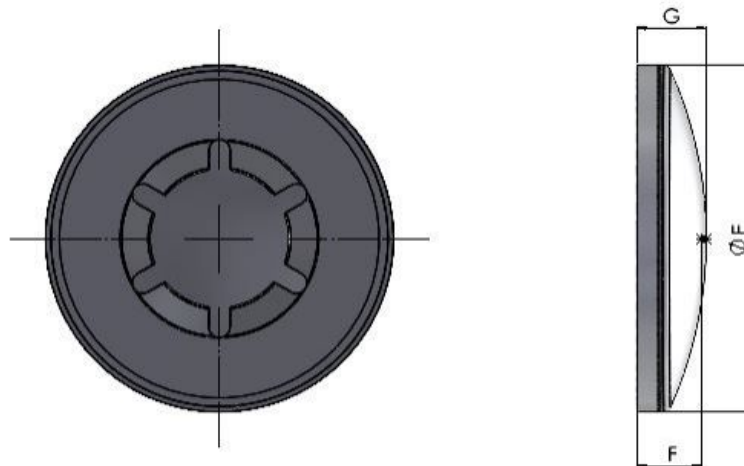




Series: 40401 Type: DC

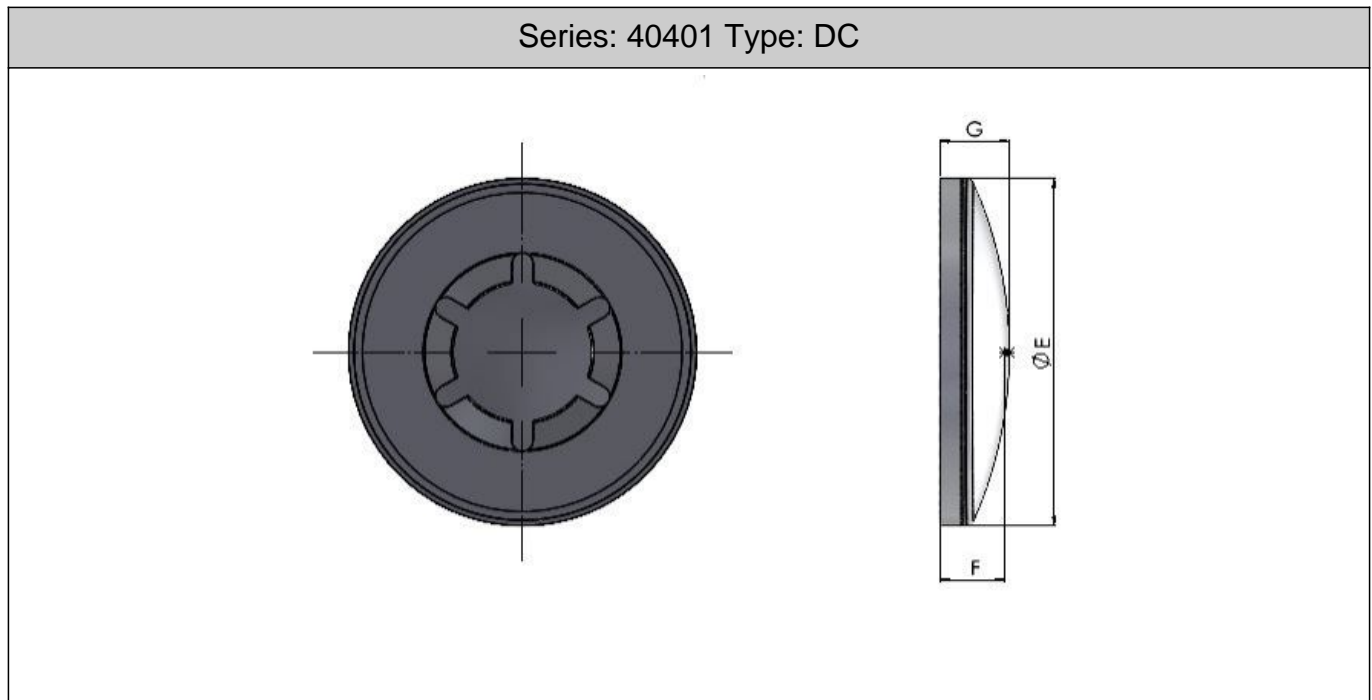


## Springlok Domed Capped Push on Fix

Part No.	Shaft Size	Cap Size	Dim E	Dim F	Dim G
8004DC	1.5	1	10.67	2.54	3.05
6489DC	2.0	1	10.67	2.54	3.05
6490DC	3.0	1	10.67	2.54	3.05
6492DC	4.0	1	10.67	2.54	3.05
6491DC	5.0	2	12.32	3.05	3.76
6493DC	6.0	3	16.32	4.06	5.08
6703DC	7.0	3	16.32	4.06	5.08
6704DC	8.0	3	16.32	4.06	5.08
6708DC	9.0	4	19.81	4.50	5.80
6496DC	10.0	4	19.81	4.50	5.80
6706DC	11.0	4	19.81	4.50	5.80
6713DC	12.0	5	26.00	6.00	7.50
6829DC	13.0	5	26.00	6.00	7.50
6825DC	14.0	6	29.40	7.00	9.00
6714DC	15.0	6	29.40	7.00	9.00
6826DC	16.0	6	29.40	7.00	9.00
6715DC	17.0	6	29.40	7.00	9.00
6827DC	18.0	7	38.20	8.70	11.70
6828DC	19.0	7	38.20	8.70	11.70
6716DC	20.0	7	38.20	8.70	11.70
6830DC	21.0	7	38.20	8.70	11.70
6719DC	22.0	7	38.20	8.70	11.70



Continued from previous page...



6831DC	23.0	8	39.80	9.53	12.95
6832DC	24.0	9	43.00	9.53	12.45
6717DC	25.0	9	43.00	9.53	12.45

DC Domed Capped Push On Fixes are decorative mushroom shaped caps. They provide the designer with the opportunity of covering the exposed end of the shaft creating a smooth attractive finish to the end product. Axle Caps and Deep Axle Caps are also available if it necessary to fix further down the shaft. Material: Cap Spring Steel or Stainless Steel      Cap Stainless Steel

**All information is given for guidance only and designers should satisfy themselves as to the suitability of the specification by requesting samples**