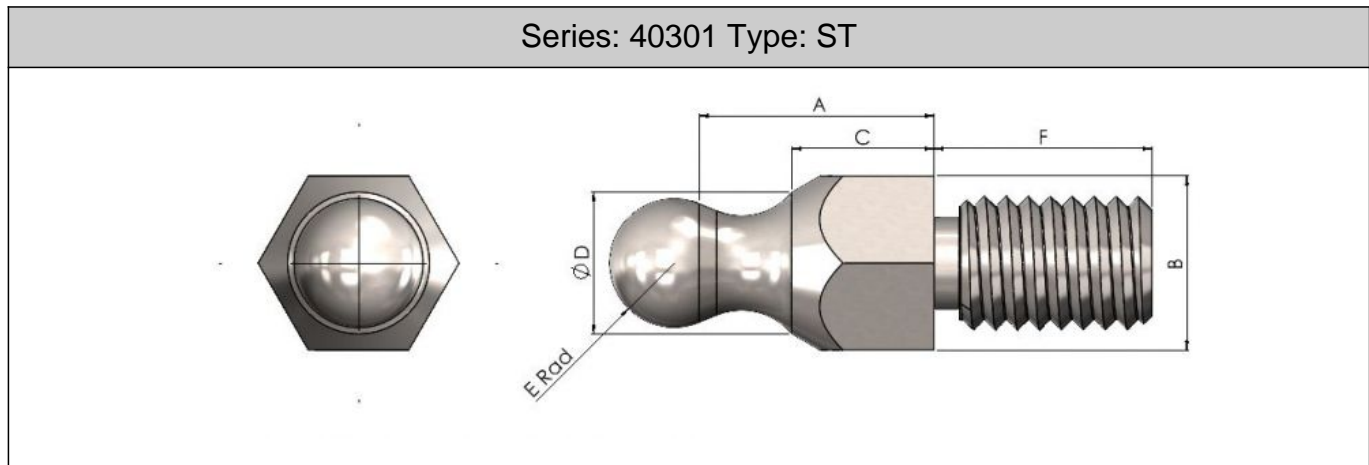




Series: 40301 Type: ST



## Latch Studs

Part No.	Panel Range	Thread M	Panel Symbol	Mating Clip	Dim A	Dim B	Dim C	Dim D	Dim E	Dim F
3847 06	0.51-1.02	M5 Male	P4	1682	8.1	6.35	5.59	3.76	2.36	7.90
3847 04	1.22-1.63	M5 Male	P6	1682	8.9	6.35	6.30	3.76	2.36	7.90
3847 08	1.80-2.20	M5 Male	P8	1682	9.5	6.35	7.00	3.76	2.36	7.90
3848 04	0.51-1.02	M3 Female	P4	1682	8.1	6.30	5.59	3.76	2.36	3.60
3846	0.71-4.06	M5 Male	N/A	1657	20.6	9.27	12.7	4.70	4.39	9.40
3845	0.71-4.06	M5 Female	N/A	1657	20.6	9.27	12.7	4.70	4.39	9.40
2141	0.9-1.22	4BA Female	N/A	2108	11.9	6.30	8.74	3.81	5.80	4.80
3850	0.9-1.22	M5 Male	N/A	2108	11.9	6.3	8.74	3.81	5.80	4.80

Latch Studs and Clips provide a very convenient way of fastening any detachable service hatch or door into position or even used purely as a door latch in thin sheet metal products. They are available in a range of sizes and threadforms to suit your application. For more information on the mating clips see our 40201 series. Special parts can be made to order subject to MOQ and lead times. Material: Brass or Steel Finish: Brass parts Self Colour Steel parts Trivalent Zinc

**All information is given for guidance only and designers should satisfy themselves as to the suitability of the specification by requesting samples**