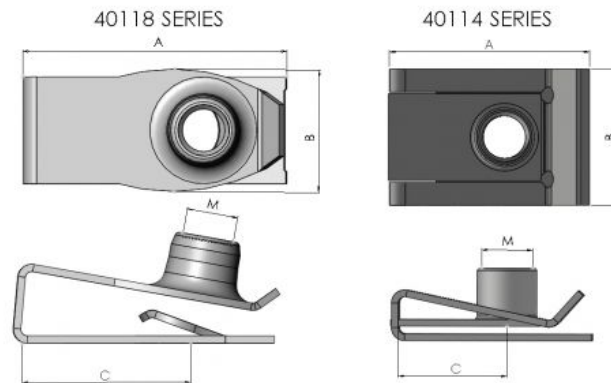




Series: 40114 Type: CNUT



Chimney Nuts

Part No.	M	Range P	Dim A	Dim B	Dim C
40114 M4	M4	1.5 - 4.0	14.9	10.0	7.3
40114 M5	M5	0.5 - 4.0	20.5	14.0	10.0
40114 M6	M6	0.5 - 4.0	23.6	16.0	11.0
40114 M8	M8	0.5 - 4.0	24.3	17.0	13.0
40118 050019	M5	0.6 - 3.8	19.0	13.0	11.5
40118 060023	M6	0.8 - 4.0	23.0	14.0	13.5
40118 060023L	M6 LOCK	0.8 - 4.0	23.0	14.0	13.5
40118 080025	M8	0.8 - 4.0	24.5	16.5	14.5

Chimney Nuts are a very versatile spring steel deep thread form fastener. The multiple thread form offers a lot stronger fixing than traditional spring steel U Nuts which use self tapping screws and only engage one thread. This feature allows greater torque for the clamp load therefore providing a more secure joint. The other excellent attribute these clips provide is the wide panel range, this makes them very versatile and can be used on sheet metal, plastics and composite materials. Material: Spring Steel Finish: Trivalent Zinc

All information is given for guidance only and designers should satisfy themselves as to the suitability of the specification by requesting samples