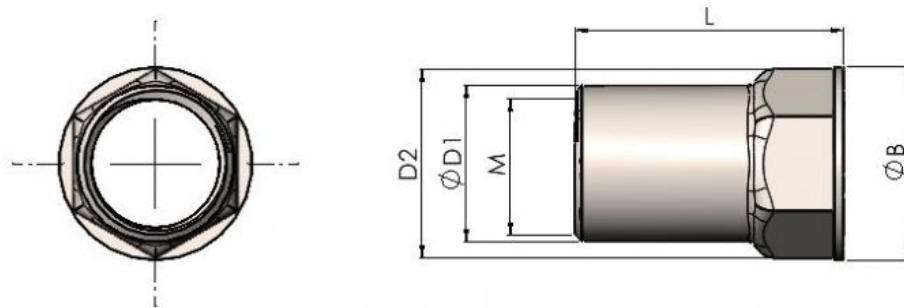




Series: 30207 Type: HHR



Half Hex Rivet Nuts Reduced Head Stainless

Part No.	Thread	S Panel Size	C Body A/F	E Head	T Head A/F	L Length	C Hole A/F	Torque Nm
046125	M4	0.5 - 2.5	5.90	0.6	7.0	11.0	6.1	4.9
057130	M5	0.5 - 3.0	6.90	0.6	8.0	12.0	7.1	8.8
069130	M6	0.5 - 3.0	8.90	0.6	10.0	14.0	9.1	14.0
0811130	M8	0.5 - 3.0	10.9	0.6	12.0	16.0	11.1	26.5
1013135	M10	0.5 - 3.5	12.9	0.6	14.5	19.0	13.1	91.6

Half Hex Rivet Nuts combine excellent torque resistance and fast assembly due to the round front end which eliminates the need to orientate the hex flats. The reduced head provides an almost flush surface in a punched hole.

Material: 304 Stainless Steel

All information is given for guidance only and designers should satisfy themselves as to the suitability of the specification by requesting samples