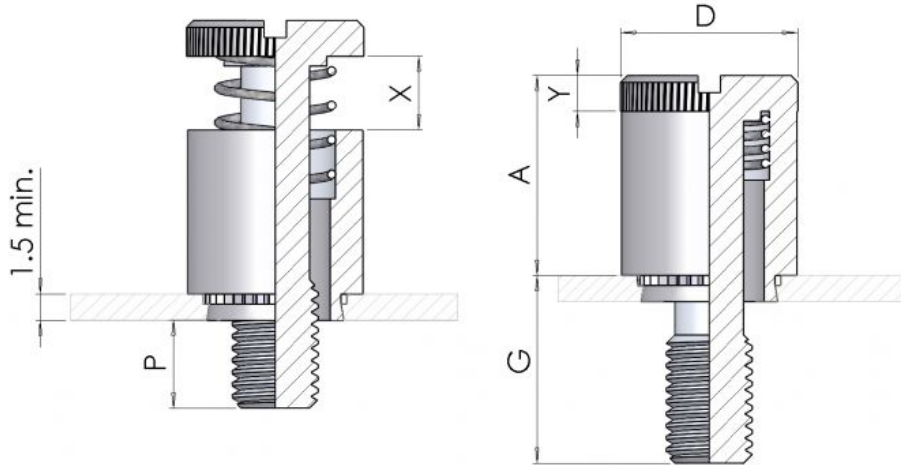




Series: 30319 Type: SPFC



## Self Clinch Panel Fastener

Part No	Thread M	Dim P	Diam D	Dim Y	Hole Size	Shank Dia	Dim G	Dim A	Dim X
SPFC M3-40	M3	0.0	7.9	1.8	6.75	6.7	6.4	9.1	4.8
SPFC M3-62	M3	3.2	7.9	1.8	6.75	6.7	9.5	9.1	4.8
SPFC M3-84	M3	6.4	7.9	1.8	6.75	6.7	12.7	9.1	4.8
SPFC M4-50	M4	0.0	9.5	2.0	7.92	7.9	7.9	11.4	6.4
SPFC M4-72	M4	3.2	9.5	2.0	7.92	7.9	11.1	11.4	6.4
SPFC M4-94	M4	6.4	9.5	2.0	7.92	7.9	14.3	11.4	6.4
SPFC M5-50	M5	0.0	10.3	2.0	8.74	8.7	7.9	11.4	6.4
SPFC-M5-72	M5	3.2	10.3	2.0	8.74	8.7	11.1	11.4	6.4
SPFC M5-94	M5	6.4	10.3	2.0	8.74	8.7	14.3	11.4	6.4
SPFC M6-60	M6	0.0	11.9	2.5	10.50	10.5	9.5	14.6	7.9
SPFC M6-82	M6	3.2	11.9	2.5	10.50	10.5	12.7	14.6	7.9
SPFC M6-04	M6	6.4	11.9	2.5	10.50	10.5	15.9	14.6	7.9

Panel Fasteners are a self clinching screw retainer for sheet metal. The body is squeezed into the sheet using a press, the screw is captive in the body so will not be lost and can be fastened to the mating part later in production. These parts are particularly useful in cabinets when regular access is required and lost screws cause problems. Materials and Finishes:-Steel Nickel (Code MPFC) 303 Stainless Steel (Code SPFC)

To specify use Series Code / Part No (eg 30319 SPFC M3-40)

**All information is given for guidance only and designers should satisfy themselves as to the suitability of the specification by requesting samples**