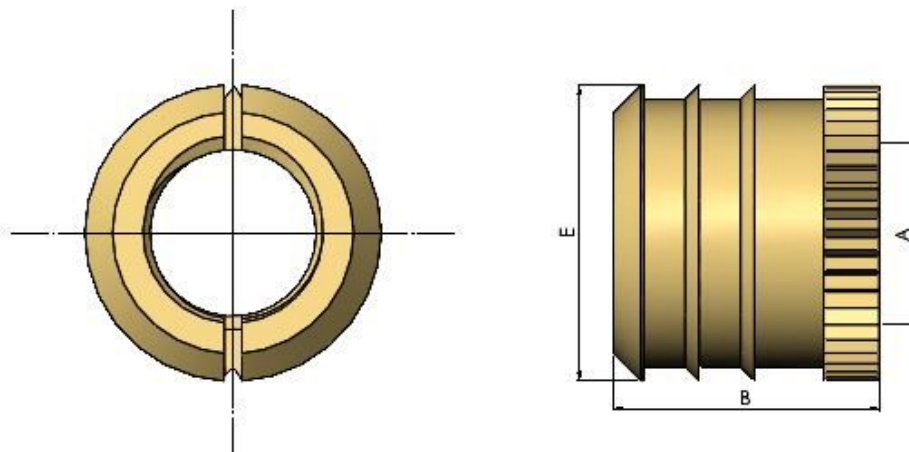




Series: 20110 Type: FV



## Expansion Inserts

Part No.	Thread A	Ext. Diam. E	Length B	No. of fins	Hole Diam. L
FV025H048	M2.5	5.35	4.80	1	4.5 - 4.7
FV030H048	M3.0	5.35	4.80	1	4.5 - 4.7
FV035H048	M3.5	6.00	4.80	1	5.2 - 5.4
FV040H095	M4.0	6.65	9.50	2	5.8 - 6.0
FV050H095	M5.0	7.35	9.50	2	6.5 - 6.7
FV060H095	M6.0	9.05	9.50	2	8.2 - 8.4
FV080H143	M8.0	12.50	14.30	3	11.8 - 12.0

FV inserts are recommended for Wood and Composite applications. Their geometric shape and sharp pointed fins eliminate any danger of the substrate splitting on installation. Different materials may require slight modifications to the hole dimensions stated above and it is essential that the hole depth is sufficient to allow the screw to pass completely through the insert to achieve optimum performance.

**All information is given for guidance only and designers should satisfy themselves as to the suitability of the specification by requesting samples**