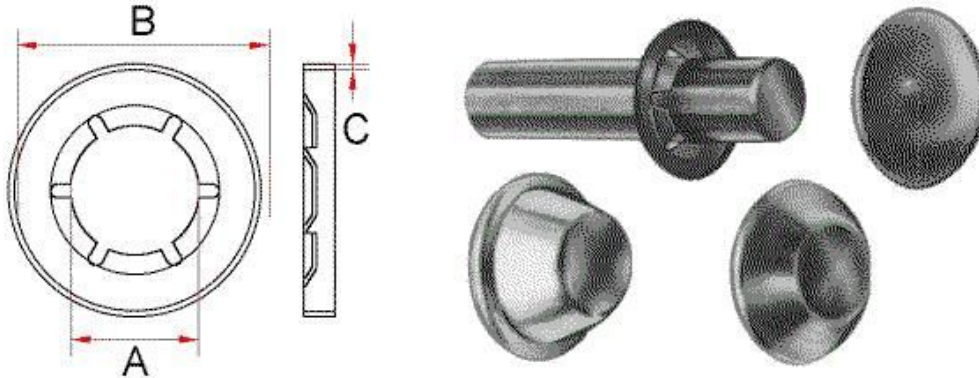


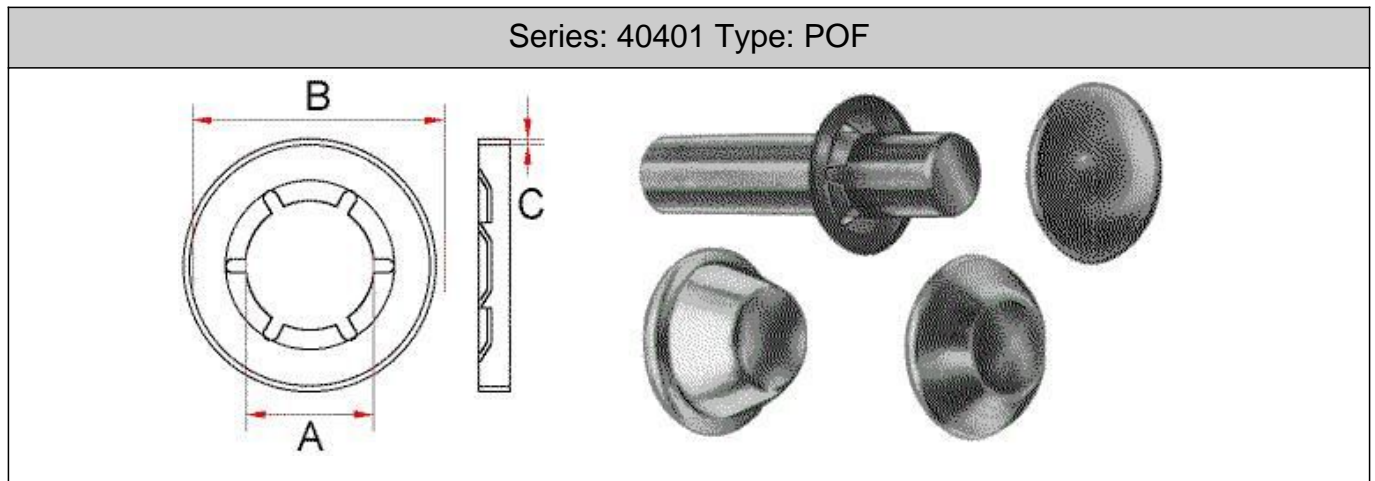
Series: 40401 Type: POF



Metric Round Push on Fix

| Part No. | Shaft Size | Dim B | Dim C |
|----------|------------|-------|-------|
| 8004 | 1.5 | 9.7 | 0.2 |
| 6489 | 2.0 | 9.7 | 0.2 |
| 6490 | 3.0 | 9.7 | 0.2 |
| 6492 | 4.0 | 11.5 | 0.2 |
| 6491 | 5.0 | 11.5 | 0.2 |
| 6493 | 6.0 | 15.25 | 0.25 |
| 6703 | 7.0 | 15.25 | 0.25 |
| 6704 | 8.0 | 15.25 | 0.25 |
| 6708 | 9.0 | 18.4 | 0.3 |
| 6496 | 10.0 | 18.4 | 0.3 |
| 6706 | 11.0 | 18.4 | 0.3 |
| 6713 | 12.0 | 25.0 | 0.4 |
| 6829 | 13.0 | 25.0 | 0.4 |
| 6825 | 14.0 | 28.2 | 0.4 |
| 6714 | 15.0 | 28.2 | 0.4 |
| 6826 | 16.0 | 28.2 | 0.4 |
| 6715 | 17.0 | 28.2 | 0.4 |
| 6827 | 18.0 | 36.5 | 0.4 |
| 6828 | 19.0 | 36.5 | 0.4 |
| 6716 | 20.0 | 36.5 | 0.4 |
| 6830 | 21.0 | 36.5 | 0.4 |
| 6719 | 22.0 | 36.5 | 0.4 |
| 6831 | 23.0 | 38.1 | 0.45 |
| 6832 | 24.0 | 41.3 | 0.5 |
| 6717 | 25.0 | 41.3 | 0.5 |

Continued from previous page...



Push on fixes provide a strong fixing on round shafts. Common applications are for retaining wheels or bearings but the possibilities are endless. They are also available with caps. Material: C67S (stainless steel also available to order) Finish: Clear Laquer (Code 00) or Mechanical Zinc (Code 60)

All information is given for guidance only and designers should satisfy themselves as to the suitability of the specification by requesting samples